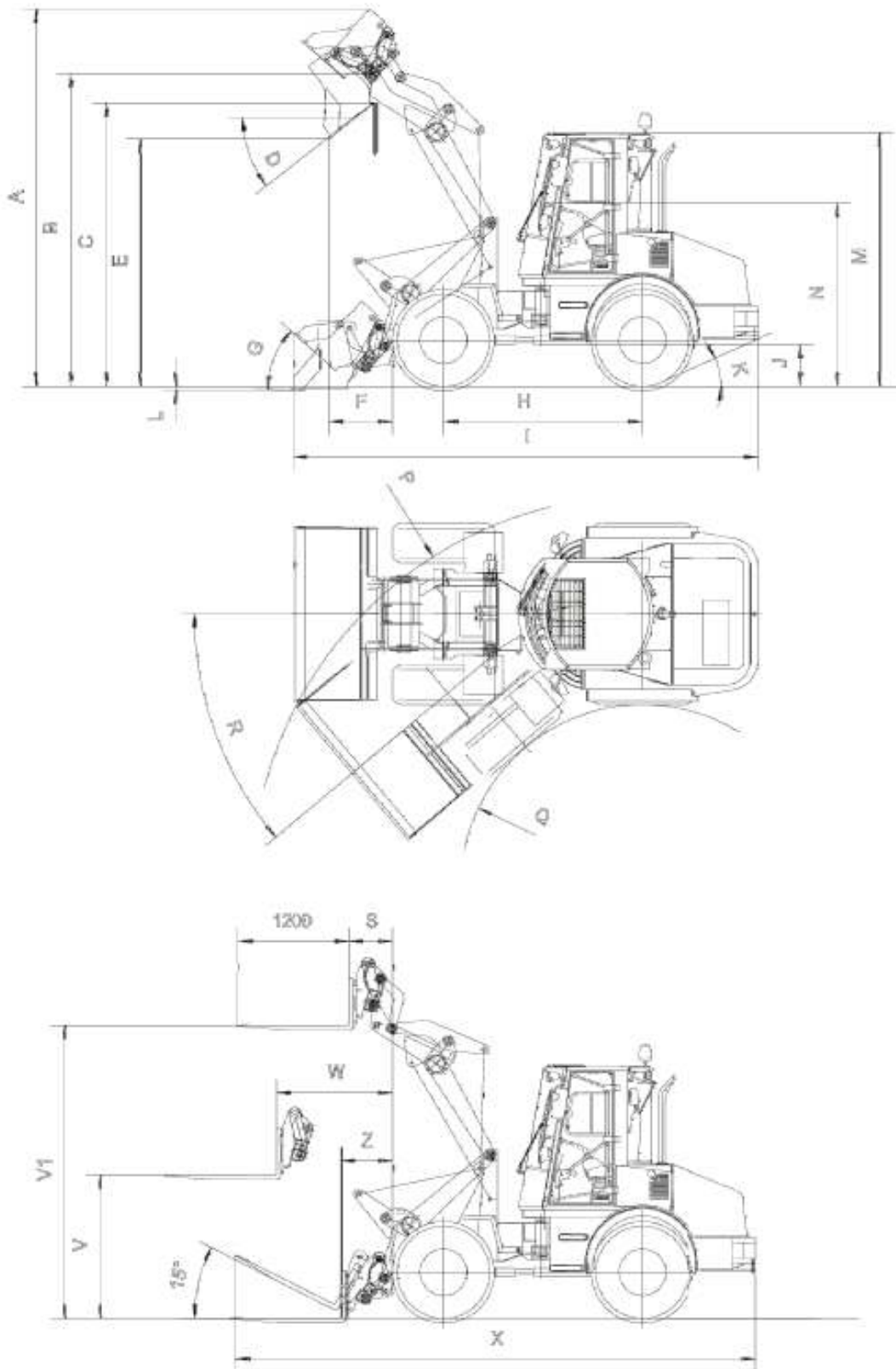


Technical Data



RL	655	855
A	4077	4220
B	3378	3482
B1		
C	3062	3194
C1		
D	38°	41°
D1		
E	2672	2680
E1		
F	683	846
F1		
F2		
F3		
G	42°	44°
H	2145	2170
I	5003	5138
J	445	445
K	24°	24°
L	40	117
M	2742	2742
N	1980	1980
O	1850	1950
P	R4216	R4352
Q	R2010	R2000
R	40°	40°
S	470	592
S1		
T		
U		
V	1549	1480
V1	3166	3280
V2		
W	1258	1345
W1		
X	5634	5697
Y		
Z	555	593
AA		
AA1		
BB		
CC		
CC1		

Operating Data	RL 855	RL 655
Bucket capacity	1,0 m	0,8 m
Width of bucket	2000 mm	1850 mm
Width of loader	1900 mm	1800 mm
Breaking force	59 KN	56 KN
Tipping load, articulated	3800 Kg	3300 Kg
Lifting force on the ground	58 KN	46 KN
Operating weight	5400 Kg	4700 Kg
<i>Data with lifting fork</i>	payload acc. to EN 474-3	
Payload 80 %, transport position/articulated	2600/ 2380 Kg	2360/ 2000 Kg
Payload 60 %, transport position/articulated	2360/ 2100 Kg	2100/ 1760 Kg

All specifications without engagement. Our machines correspond to the latest European Safety Directives.

(We reserve the right to effect alterations in design)